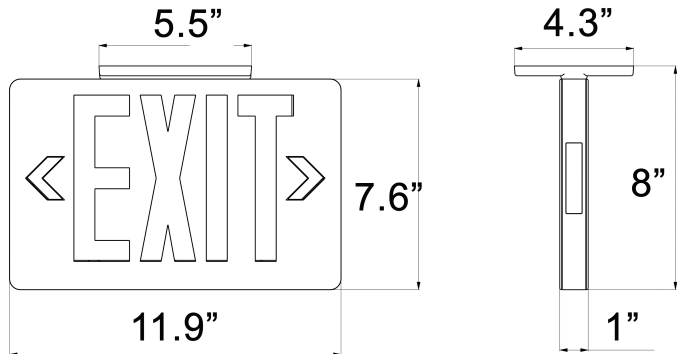


# XTSL SUPER SLIM SERIES



**TECHNICAL SPECIFICATIONS:**

- :: Dual 120/277 voltage operation
- :: Charge rate/power "ON" LED indicator light and push-to-test switch for mandated code compliance testing
- :: 1.2V long life, maintenance-free, rechargeable Ni-MH battery
- :: Internal solid-state transfer switch automatically connects the internal battery to LED board for minimum 90-minute emergency illumination
- :: Fully automatic solid-state, two rate charger initiates battery charging to recharge a discharged battery in 24 hours
- :: 3-year warranty



## SUPER SLIM LED EXIT SIGN

CATALOG NO.	LETTERS	NUMBER OF FACEPLATE	BODY	VOLTAGE	BATTERY
XTSL-RW	Red	Universal Single/Double	White	120/277	1.2V Ni-MH
XTSL-GW	Green	Universal Single/Double	White	120/277	1.2V Ni-MH

H1